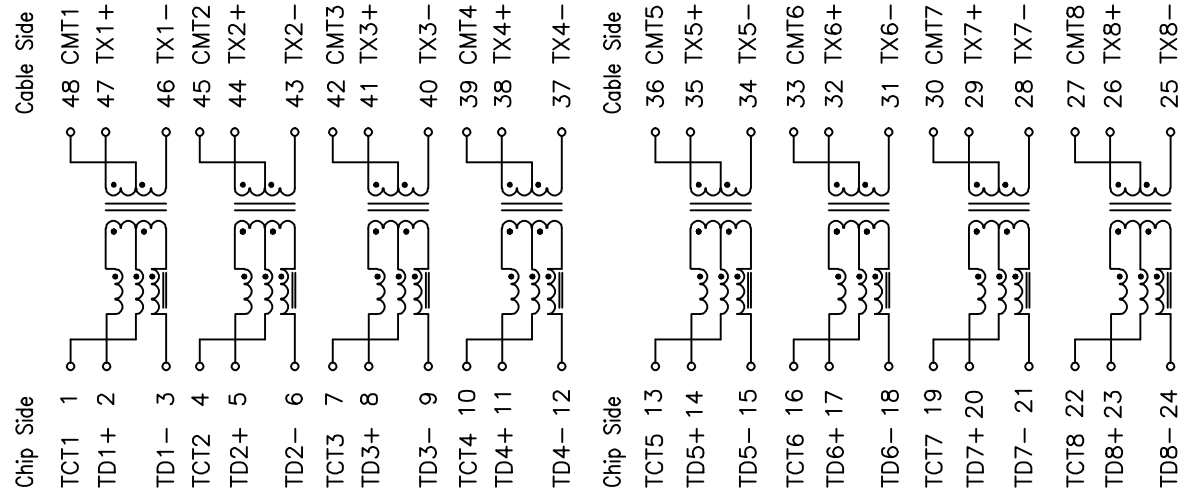


SUGGESTED PCB LAYOUT

UNLESS OTHERWISE SPECIFIED ALL TOLERANCES ARE ±0.25mm



ELECTRICAL SPECIFICATIONS @25°C :

1. OCL : 350uH MIN. @100KHz, 1Vrms 8mA DC BIAS
2. TURN RATIO : TX = 1CT : 1CT
RX = 1CT : 1CT
3. VOLTAGE ISOLATION : 1500Vrms, 2mA, 60SEC
4. INSERTION LOSS : 1-100MHz = -1.1dB MAX.
5. RETURN LOSS (@100Ω) : 1-30MHz = -18dB MIN.
40MHz = -14.4dB MIN.
50MHz = -13.1dB MIN.
60-80MHz = -12dB MIN.
6. CROSS TALK : 1-100MHz = -30dB MIN.
7. DIFFERENTIAL TO COMMON MODE REJECTION :
1-100MHz = -30dB MIN.
8. INTERWINDING CAPACITANCE : 35PF Typ
9. DCR : 1.2Ω MAX.
10. LEAKAGE INDUCTANCE : 0.5uH MAX.
11. Compliant with IEEE 802.3ab & 802.3af standard
12. OPERATING TEMPERATURE RANGE : 0°C to +70°C
STORAGE TEMPERATURE RANGE : -25°C to +125°C
13. RoHS COMPLIANT

					AOEM		TITLE 10/100/1000 BASE-T PoE TRANSFORMER	
							DWG. NO. ATPL-456R	
RELEASE			09/20/2018	SHIRLEY	BETTY	BETTY	UNITS: M/M	SAFETY
NO:	DESCRIPTION	DATE	BY	CHK	APPD	DATE	P/N:	SHEET 1 of 1
REVISIONS						09/20/18		DRAW SHIRLEY